

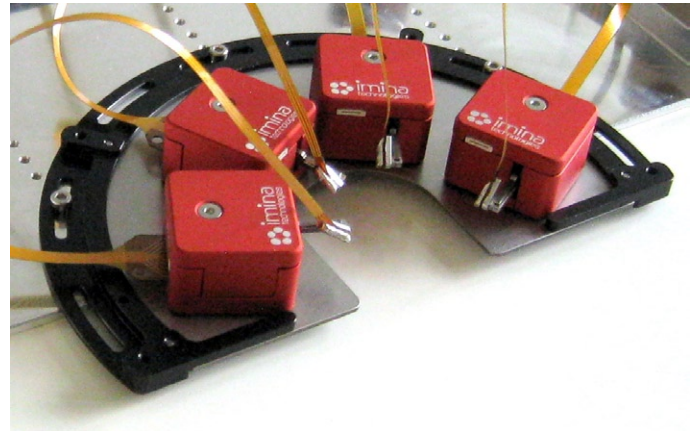
4-Bot stage

Compact arc shape stage for four miBot™

The 4-Bot stage is an arena for up to four miBot™ robots that is specifically designed to minimize its footprint on cluttered experimental setups and environmental chambers.

The mounting interface is compatible with standard optical breadboards and microscope stages, allowing you to easily reconfigure your setup for new experiments.

The 4-Bot stage is ideal for use at low optical working distance. It is also well adapted to contact large substrates mounted on sample holders that are moved by a positioning stage (e.g. wafer chucks, Petri dishes).



Four miBot™ robots moving on a 4-Bot stage

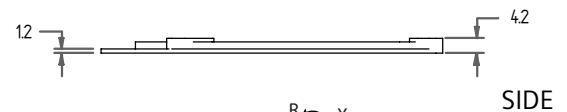
Stage size	
Dimensions	115 x 74.5 x 4.2 mm
Weight	45 g
miBot™ range of displacements	
Workspace area	26 x 92 mm
Motion range (XY ¹)	+/- 5 mm
Rotation (R ¹)	+/- 180°
¹ miBot referential frame	

Included items

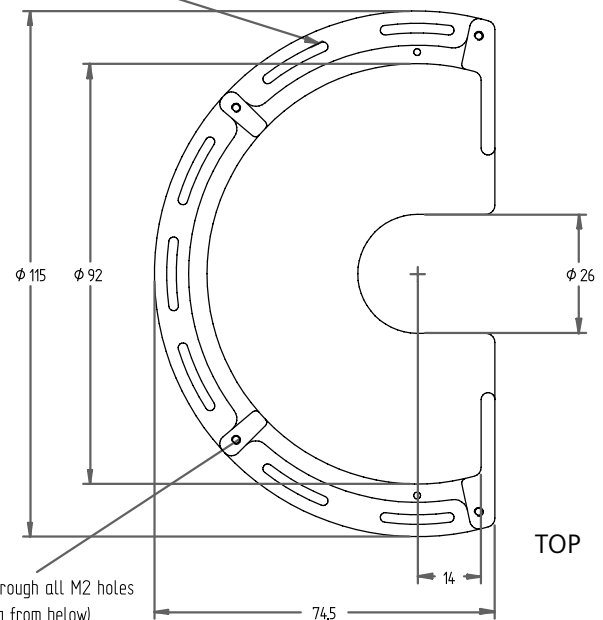
5 x M2 screws

Options

- Clamps for mount on optical breadboards
- Interface parts for probe stations and light microscope (upright and inverted)



Seven through all openings
(mounting from top, M2 screws)



Four through all M2 holes
(mounting from below)

Imina Technologies SA

EPFL Innovation Park, Bât. E, 1015 Lausanne, Switzerland

www.imina.ch