

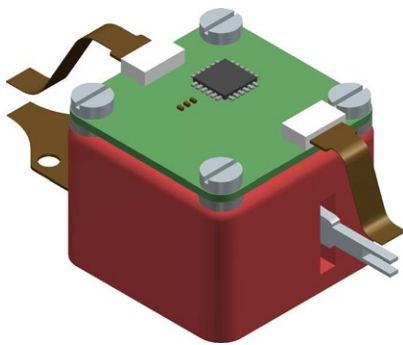
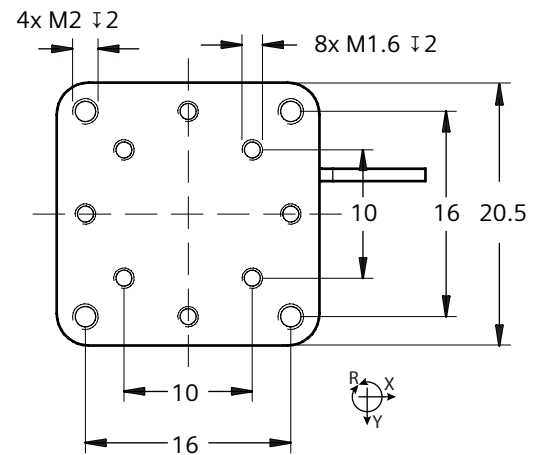
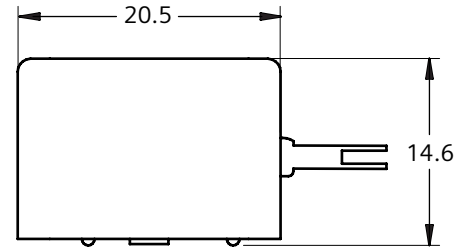
miBot BT-14 +Mnt

Versatile mobile robot technology providing **3D manipulation + 2D positioning** capabilities at sub-micron scale.

The +Mnt version of the ultra compact miBot™ offers not only intuitive positioning of probes, optical fibers and micropipettes, but it also enables you to rigidly attach accessories to its top surface. The multiple advantages of the miBot™ can thereby be exploited to position under your microscope various types of items such as samples, electronic boards or optical components.

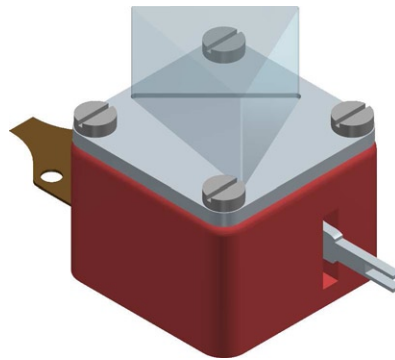
Key features and benefits of +Mnt version (2D positioner)

- Scalable positioning resolution (1.5 – 250 nm) over long travel ranges (up to 50 mm on X-Y, +/- 180° on R)
- High mechanical and thermal stability for measurements over long periods of time
- Computer based control for intuitive operation
- Ambient and vacuum compatible compact design for seamless integration with any experimental setup
- Interoperability with all Imina Technologies' miBot platforms



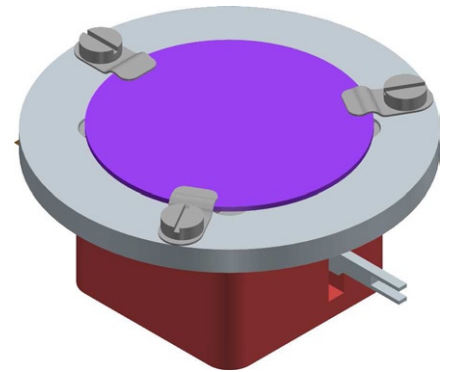
MEMS & Sensors

Bring onboard the signal processing chip and reduce noise with short connections.



Optics / Photonics

Adjust the position and angle of optical components to align them with precision.



Sample Positioning

Quickly screen over your samples by moving them freely under the microscope.