

Large Sample Adapter for SM100 (4-Bot)

The Large Sample Adapter (LSA) is an arena for up to 4 miBot that is mounted on a Nanoprobing Stage (SM100). It provides space below for large/tall samples.

The LSA is tightened on the stage with a manual knob and requires no tools for installation/removal.

The large sample adapter is ideal to probe a variety of samples such as 2" wafers, packaged samples, cross-sections, etc.

Different elevations are available to match most sample heights.

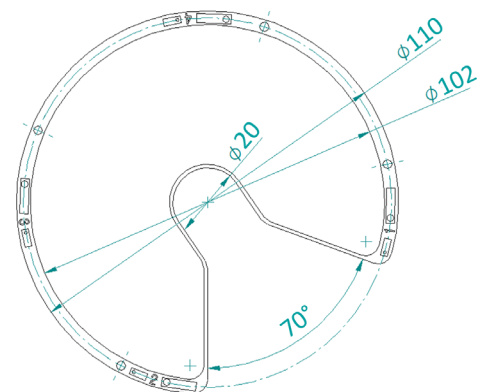
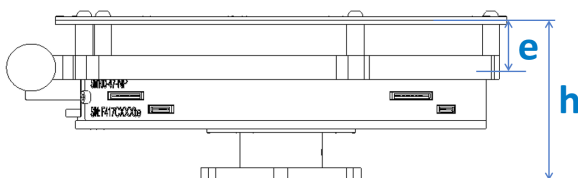


LSA elevations available (e)¹ and total stage height (h)²

e = 5mm	(h = min 29mm, max 33mm)
e = 10mm	(h = min 34mm, max 38mm)
e = 13mm	(h = min 37mm, max 41mm)
e = 18mm	(h = min 42mm, max 46mm)

¹ The LSA is delivered in only one elevation

² Total height depends on microscope model



Application Note :

Cross-section EBIC of a transistor array
<https://www.imina.ch/applications/cross-section-ebic-transistor-array-using-large-sample-adapter>

